

ENVIROMECH

Quality Laboratory Furniture

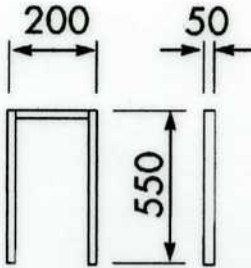
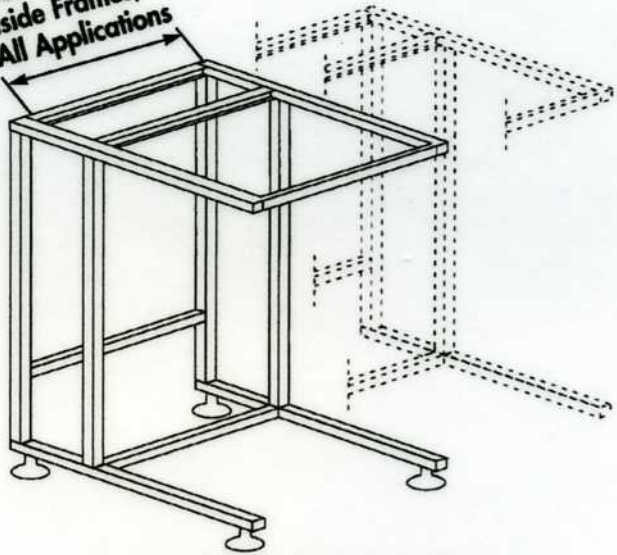
Support Frames:- 50mm x 25mm x 2mm thick mild steel cantilever frames and tie rails.

Finish:- Textured, Semi - gloss polyester powder coated with iron phosphate pre - treatment.

Colour:- Available in wide variety of colours. Stock colours are white or grey.

Support Brackets:- Adjustable mild steel brackets and bolts (4.No. per kit)

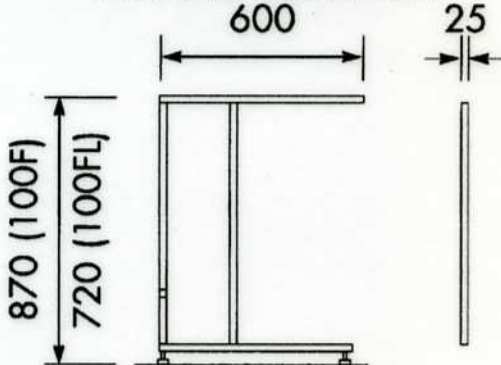
Module Length
(Inside Frames)
All Applications



Reagent Shelf (100R)

Standard Modules					
Module ref.	Module length (Inside Frames)	ref.	Tie Rails Quantity/Module		
			Perimeter	Peninsular	Shelf
120	1205	R1	5	6	2
100	1005	R2	5	6	2
75	755	R3	5	6	2
50	505	R4	5	6	2

Perimeter Benchwork



Island/Peninsular Benchwork
1460 (MAX)

